

JF-SD-FN5320M-X30R

1080P Network IR PTZ Camera



Features

- ◆ 1080P@25fps
- ◆ HD lens: 4.3~129mm(30x Optical zoom)
- ◆ Support ONVIF(profile S)
- ◆ Support H.265 video compressions, multi-level video quality configuration
- ◆ Protection level is IP66
- ◆ Supporting WEB, VMS, MYEYE platform;
- ◆ Support intelligent video: Auto-tracking, Tripwire, Intrusion, Scene Change, Abandoned/Missing Object;
- ◆ Support mobile phone monitoring (IOS, Android);
- ◆ 360° endless pan range and -10°~90°tilt range
- ◆ PTZ functions: Up to 80 presets, up to 1 auto scan, up to 4 tour, up to 1 pattern

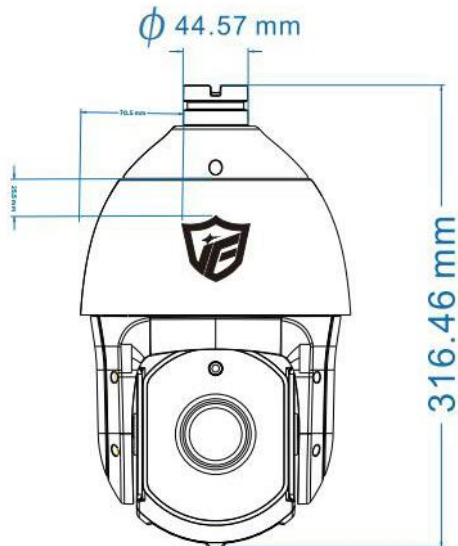
Specification

Camera	
Model	JF-SD-FN5320M-X30R
Image Sensor	1/2.9" 1080P Exmor CMOS
Min.illumination	0.01Lux@F1.2(Color)/0.001Lux@F1.2(B/W)
Lens	4.3~129mm(30x Optical zoom)
Day/Night	IR CUT
Wide Dynamic Range	DWDR
Max.IR Distance	120m
Video Compression	H.265
Multi-streaming	Dual-stream
Frame Rate	1080P@25fps
Pan/Tilt	Pan:0°~360°endless;Tilt:-10°~90°
Intelligent Video	Auto-tracking, Tripwire, Intrusion, Scene Change, Abandoned/MissingObject
Compatibility	ONVIF
Interface	
Audio In/Out	--
Memory Slot	SD,Max 128 G
Alarm In/Out	--
General	
Ingress Protection	IP66
Working Temperature	-20°C~+65°C
Power	DC12V±10%,PoE

JF-SD-FN5320M-X30R

1080P Network IR PTZ Camera

Dimensions



Accessories (optional)

JF TECH Co.,Ltd.

Headquarters(Hangzhou):

Building 9, Yinhu Innovation Center, Hangzhou, China

Business Center(Shenzhen):

A 7th Floor, Block Sakata 5 Avenue and Chong Hing Times Tower Shenzhen

All Rights Reserved • Specifications subject to change without notice.

Website:<http://www.jftech.com>

Tel:+86-0571-23271188

Tel:+86-0755-32898088