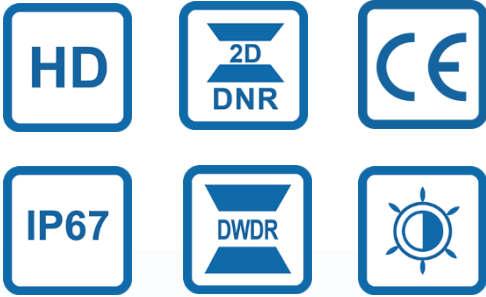


JF-XVI-EQ2321-IR2

2MP 5 in 1 Bullet Camera



Features

- ◆ 1/2.7" 2Mp CMOS
- ◆ Fixed lens
- ◆ Support coaxial control
- ◆ Support coaxial upgrade
- ◆ Low Illumination
- ◆ XVI/AHD/TVI/CVI/CVBS Video Output
- ◆ Protection level is IP67

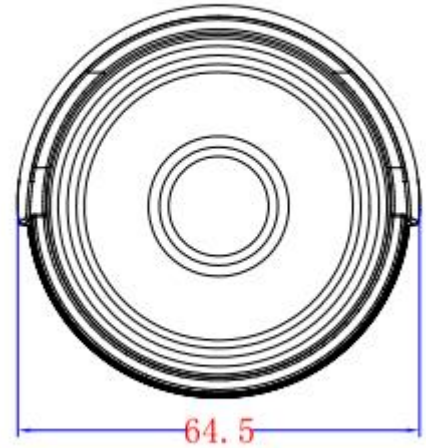
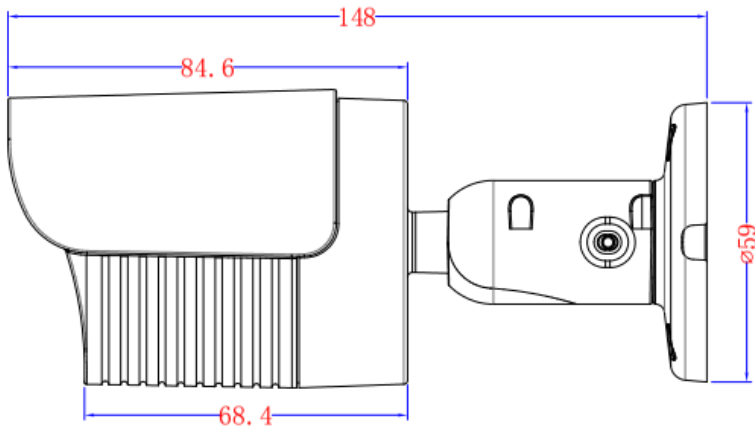
Specification

Camera	
Model	JF-XVI-EQ2321-IR2
Image Sensor	1/2.7" 2Mp CMOS
Min.Illumination	0.01Lux @F1.2 (Color)
	0.001 Lux @ F1.2 (B&W)
Frame Rate	50Hz:1080P@25fps 60Hz:1080P@30fps
Lens	3.6mm(2.8mm.6mm optical)
Day/Night	IR-CUT
Max.IR Distance	30m
OSD Menu	UTC Control
Wide Dynamic Rang	DWDR
Noise Reduction	2D
Interface	
Video Output	XVI/AHD/TVI/CVI/CVBS
Audio In	-
Alarm In/Out	-
General	
Ingression Protection	IP67
Working Temperature	-20°~65°
material	Metal
Power	DC12V±10%

JF-XVI-HE2321-IR2

2MP XVI 5 in 1 Bullet Camera

Dimensions



Accessories (optional)

JF TECH Co.,Ltd.
Headquarters(Hangzhou):
Building 9, Yinhu Innovation Center, Hangzhou, China
Business Center(Shenzhen):
A 7th Floor, Block Sakata 5 Avenue and Chong Hing Times Tower Shenzhen
All Rights Reserved • Specifications subject to change without notice.

Website:<http://www.jftech.com>
Tel:+86-0571-23271188
Tel:+86-0755-32898088